

volkano^x

Sleek Series

20 000 mAh HIGH CAPACITY **POWER BANK**



INSTRUCTION MANUAL

Please read these instructions carefully and retain for future reference.



VK-9001-BK

HIGHLIGHTS

- 20 000 mAh Lithium Ion
- 2 x Charge Ports
- 2.4 Amp Charging
- LCD Display
- Carry Bag
- Dual-Tip Micro USB & Type-C Charging Cable

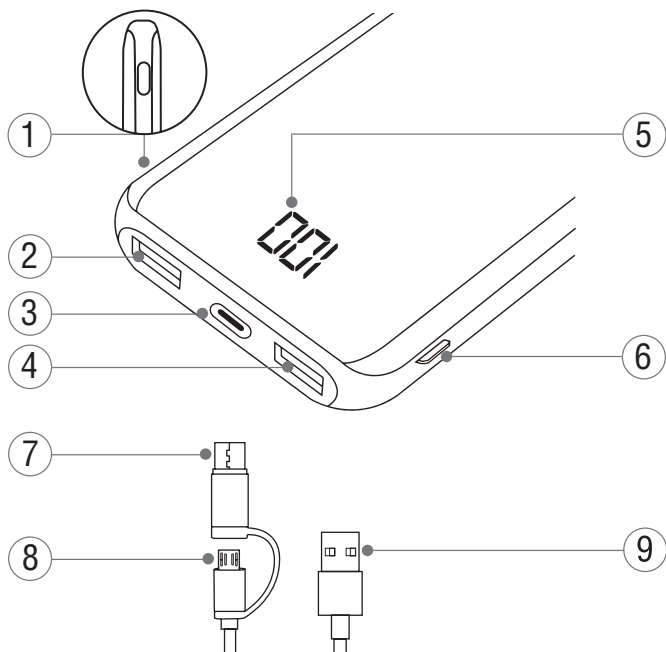
PACKAGE CONTENTS

- VolcanoX Sleek Series 20 000 mAh High Capacity Power Bank
- Dual-Tip Micro USB & Type-C Charging Cable
- Instruction Manual
- Carry Bag

TECHNICAL SPECIFICATIONS

Battery:	20 000 mAh Lithium Ion
Life Cycle:	≥ 500 Full Cycles
Input:	5 V DC, 2 A
Max Output 1:	2.4 A
Max Output 2:	2.4 A
Weight:	428.9 g
Size:	21.5 x 80.5 x 165.1 mm
	0.85" x 3.17" x 6.5"

IDENTIFYING PARTS



1. LCD Display Button
2. Output 1 Port
3. Type-C Charging Port
4. Output 2 Port
5. LCD Display
6. Micro USB Charging Port
7. Type-C Tip
8. Micro USB Tip
9. USB-A Tip

INSTRUCTIONS FOR USE:

CHARGING THE POWER BANK

Take the supplied USB Cable and plug the USB-A end of the cable into the power source being used; plug the other end of the cable into either the Micro USB Port or the Type-C Port of the Power Bank. An LCD Display on the front of the Power Bank will indicate the percentage charge which ranges from 0 ~ 100, 0 being flat and 100 being fully charged.

If the Power Bank is switched on but is not being used, it will automatically switch off after approximately 14 seconds.

The Power Bank will take between 6 ~ 8 hours to fully charge. If you are using a computer / laptop it could take longer as the maximum output load from USB 2.0 ports is 0.5 A. Use USB 3.0 ports for faster charging.

The Power Bank can be charged directly through the mains socket outlet using a USB Charger (not supplied).

CHARGING YOUR DEVICE

Plug the USB end of the supplied cable into one of the USB ports, located at the top of the Power Bank. Plug either the Micro USB Port or the Type-C Port end of the cable into the charging port on your device. The LCD Display panel will light up and indicate the amount of charge the Power Bank has left.

SAFETY PRECAUTIONS

- Ensure responsible use of this Power Bank.
- Unplug the Power Bank when not in use.
- Do not attempt to use this Power Bank when performing tasks that require your full attention.
- Do not expose this Power Bank or any of its components to water, fire, high temperatures or damp areas.
- Do not disassemble this Power Bank.
- Keep out of reach of children.
- Operate between 0 ° – 40 °C.
- Do not cover the Power Bank i.e : use beneath pillows or blankets.
- Do not use or charge the Power Bank while it is in the carry bag.

CLEANING AND CARING INSTRUCTIONS

- **Before Cleaning:** Ensure that your Sleek Series Power Bank is turned off and disconnected from a USB Cable before cleaning or maintaining it.
- **Cleaning:** Wipe down the surface of your Sleek Series Power Bank using a soft, slightly damp cloth.
- Do not use any harsh or abrasive cleaning chemicals or materials on your Sleek Series Power Bank as doing so may damage or scratch the surface finish.
- Do not expose your Sleek Series Power Bank to direct sunlight or high temperatures for extended periods of time.
- Do not store in temperatures over 140 °F (60 °C).

ENVIRONMENTALLY FRIENDLY DISPOSAL



Do not dispose of electrical appliances as unsorted municipal waste, use separate collection facilities. Contact your local government for information regarding the collection systems available. If electrical appliances are disposed of in landfills or dumps, hazardous substances can leak into the groundwater and get into the food chain, damaging your health and well being.

DISCLAIMER

All product and company names are trademarks™ or registered® trademarks of their respective holders. Use of them does not imply any affiliation with or endorsement by trademark or registration holders.

WARRANTY

This VolcanoX Sleek Series Power Bank includes a standard 12-month limited warranty against manufacturing defects and faults. Should your product be unboxed with any faulty parts, poor finishing or visible damage, or fail to perform due to a manufacturing defect or poor workmanship, please return it with your proof of purchase (till slip or invoice) to the store of purchase for an exchange or repair depending on the store's returns policy.

This warranty commences from the date of purchase.

Kindly retain your proof of purchase as well as the packaging for your warranty period.

NOTE:

The Warranty does not apply to a product that:

- a.) Has failed due to excessive wear and tear beyond what is considered to be reasonable.
- b.) Has been misused or neglected.
- c.) Has been damaged accidentally or by acts of God including fire and flooding.
- d.) Has been used or operated contrary to operating or maintenance instructions outlined in this manual.

The Store of Purchase / Seller cannot accept any returned products that have not been returned in accordance with this warranty or which does not follow their own Returns Policy. Please refer to the Store of Purchase / Sellers Returns Policy for details.

Should you require any further assistance or have any questions on your warranty, please contact the store of purchase.